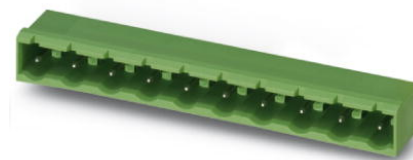


## GMSTBA 2,5/ 3-G-7,62

Order No.: 1766246

The figure shows a 10-position version of the product

<http://eshop.phoenixcontact.de/phoenix/treeViewClick.do?UID=1766246>Header, nominal current: 12 A, rated voltage: 400 V, pitch: 7.62 mm,  
no. of positions: 3, mounting: Soldering

### Commercial data

EAN	4017918032265
Pack	50 Pcs.
Customs tariff	85366990
Weight/Piece	0.00209 KG
Catalog page information	Page 243 (CC-2007)

### Product notes

WEEE/RoHS-compliant since:  
01/01/2003

<http://www.download.phoenixcontact.com>  
Please note that the data given here has been taken from the online catalog. For comprehensive information and data, please refer to the user documentation. The General Terms and Conditions of Use apply to Internet downloads.

### Technical data

#### Dimensions / positions

Pitch	7.62 mm
Dimension a	15.24 mm
Number of positions	3
Pin dimensions	1 x 1 mm
Hole diameter	1.4 mm

#### Technical data

Insulating material group	IIIa
Rated surge voltage (III/3)	6 kV
Rated surge voltage (III/2)	6 kV
Rated surge voltage (II/2)	6 kV
Rated voltage (III/2)	630 V
Rated voltage (II/2)	630 V
Connection in acc. with standard	EN-VDE
Nominal current $I_N$	12 A
Nominal voltage $U_N$	400 V
Maximum load current	12 A
Insulating material	PBTP
Inflammability class acc. to UL 94	V0

#### Certificates / Approvals

##### Approval logo



##### CSA

Nominal voltage $U_N$	300 V
Nominal current $I_N$	10 A

##### CUL

Nominal voltage $U_N$	300 V
Nominal current $I_N$	10 A

##### UL

Nominal voltage $U_N$	300 V
Nominal current $I_N$	10 A
Certification	CB, CSA, CUL, GOST, UL, VDE-PZI

### Accessories

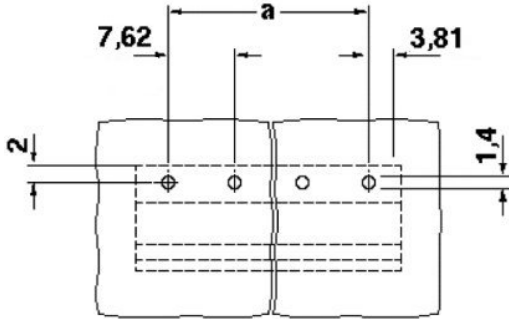
Item	Designation	Description
<b>Assembly</b>		
1755477	MSTB-BL	Keying cap, for forming sections, plugs onto header pin, green insulating material
<b>Marking</b>		
0804549	SK 7,62/3,8:FORTL.ZAHLEN	Marker card, printed horizontally, self-adhesive, 10-section marker strip, 12 identical decades marked 1-10, 11-20 etc. up to 91-99, sufficient for 120 terminal blocks
<b>Plug/Adapter</b>		
1734401	CR-MSTB	Coding section, inserted into the recess in the header or the inverted plug, red insulating material

### Additional products

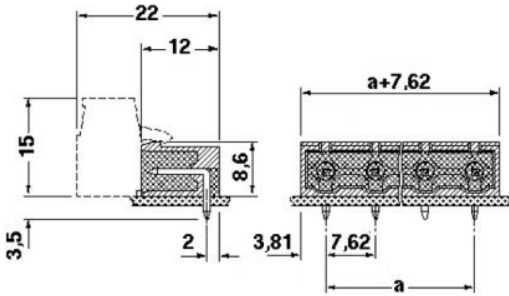
Item	Designation	Description
<b>General</b>		
1806122	FRONT-GMSTB 2,5/ 3-ST-7,62	Plug component, nominal current: 12 A, rated voltage: 400 V, pitch: 7.62 mm, no. of positions: 3, type of connection: Screw connection
1828689	GIC 2,5/ 3-G-7,62	Header, nominal current: 12 A, rated voltage: 500 V, pitch: 7.62 mm, no. of positions: 3, mounting: Soldering
1828922	GICV 2,5/ 3-G-7,62	Header, nominal current: 12 A, rated voltage: 500 V, pitch: 7.62 mm, no. of positions: 3, mounting: Soldering
1767012	GMSTB 2,5/ 3-ST-7,62	Plug component, nominal current: 12 A, rated voltage: 400 V, pitch: 7.62 mm, no. of positions: 3, type of connection: Screw connection
1832536	GMVSTBR 2,5/ 3-ST-7,62	Plug component, nominal current: 12 A, rated voltage: 500 V, pitch: 7.62 mm, no. of positions: 3, type of connection: Screw connection
1832426	GMVSTBW 2,5/ 3-ST-7,62	Plug component, nominal current: 12 A, rated voltage: 500 V, pitch: 7.62 mm, no. of positions: 3, type of connection: Screw connection

## Drawings

Drilling diagram



Dimensioned drawing



**Address**

PHOENIX CONTACT GmbH & Co. KG  
Flachmarktstr. 8  
32825 Blomberg, Germany  
Phone +49 5235 3 00  
Fax +49 5235 3 41200  
<http://www.phoenixcontact.de>



© 2008 Phoenix Contact  
Technical modifications reserved;